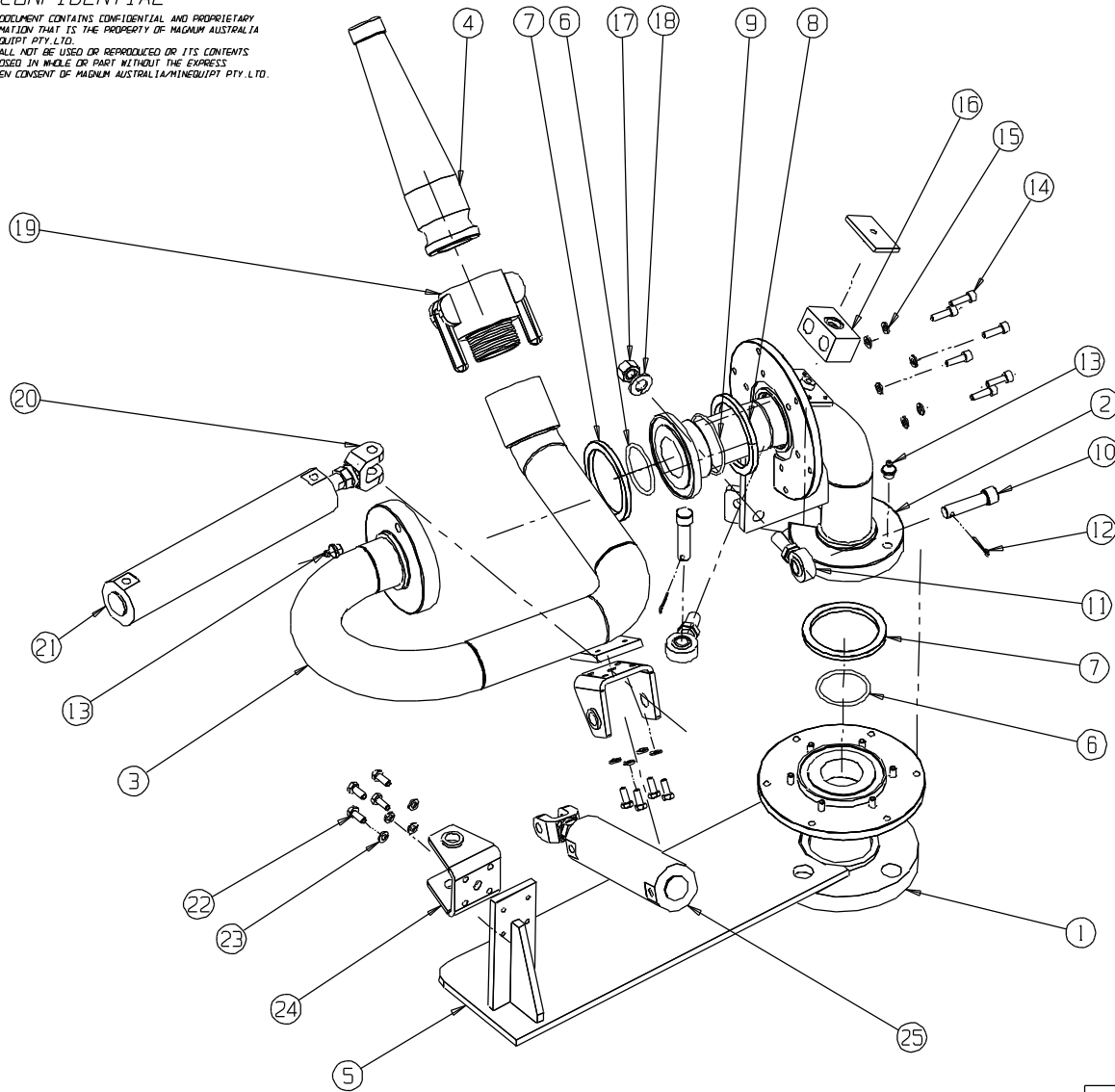


CONFIDENTIAL

THIS DOCUMENT CONTAINS CONFIDENTIAL AND PROPRIETARY INFORMATION THAT IS THE PROPERTY OF MAGNUM AUSTRALIA (MINEQUIPT) PTY LTD.
IT SHALL NOT BE USED OR REPRODUCED OR ITS CONTENTS DISCLOSED IN WHOLE OR PART WITHOUT THE EXPRESS WRITTEN CONSENT OF MAGNUM AUSTRALIA (MINEQUIPT) PTY LTD.

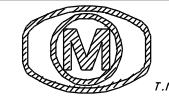


Iten No	Part Number	Description	Qty
25		CYL-COG1BN40-100	1
24		CYL MOUNT	2
23		WASHER M6 SPRING	8
22		HEX HEAD SET SCREW M6X15LG	8
21		CYL-COG1BN40-100	1
20		ROD END CLEVIS	1
19		CAMLOCK DIXON 333B GP 40NM	1
18		SPRING WASHER M12	2
17		NUT HEX M12	2
16		PIPE CLAMP 20	1
15		WASHER M6 SPRING S/S	12
14		SOCKET HEAD CAP SCREW M6 X 20LG	12
13		1/8 BSP NIPPLE	2
12		SPLIT PINS 3.2 NORM X 20 LG	2
11		ROD END M12 x 12	2
10	RM50H-032	CLEVIS PIN	2
9	MMB-008	40mm MONITOR BEARING O'RING DUST SEAL	2
8	MMB-006	40mm MONITOR BEARING SPLIT VESCO	3
7	MMB-005	40mm MONITOR BEARING VESCO RING	2
6	MMB-007	40mm MONITOR BEARING O'RING	2
5	RM50AE-007	ROTATE CYLINDER MOUNT	1
4	MM40-015	STD DIRECTOR NOZZLE	1
3	RM50AE-005	RM50H TOP SWEEP	1
2	RM50AE-004	CENTRE SECTION	1
1	RM50AE-001	LOWER SECTION	1

DRAWN TO AS 1100	SURFACE FINISH	MATERIAL :
------------------	----------------	------------

ISSUE	REVISION	DRAWN	DATE	APPD.

EXCEPT WHERE NOTED ALL DIMENSIONS IN MILLIMETRES



MAGNUM AUSTRALIA

35 PARKURST DRIVE KNOXFIELD VICTORIA 3180
PHONE 9801 8433 FAX 9800 3240

DRAWINGS SUBJECT TO FINAL DESIGN UNLESS CONFIRMED

SHEET SIZE: A3

TOLERANCES UNLESS NOTED
WHOLE DIMENSIONS ±0.50
ONE DECIMAL PLACE ±0.25
TWO DECIMAL PLACES ±0.10
ANGLES ±30'

SCALE	NTS
DRAWN	TH
DATE	20/12/04
CHECKED	
DATE	

RM50AE AIR ELECTRIC MONITOR ASS'Y

CONFIRMED BY: SIGNATURE: DATE:

SHEET 1 OF 2 SHEETS DRG. No. RM50AE-000